



Dometic Environmental Corporation

Air Handler Wiring Diagrams

Abridged Version

Air Handler Wiring Diagrams - Table of Contents

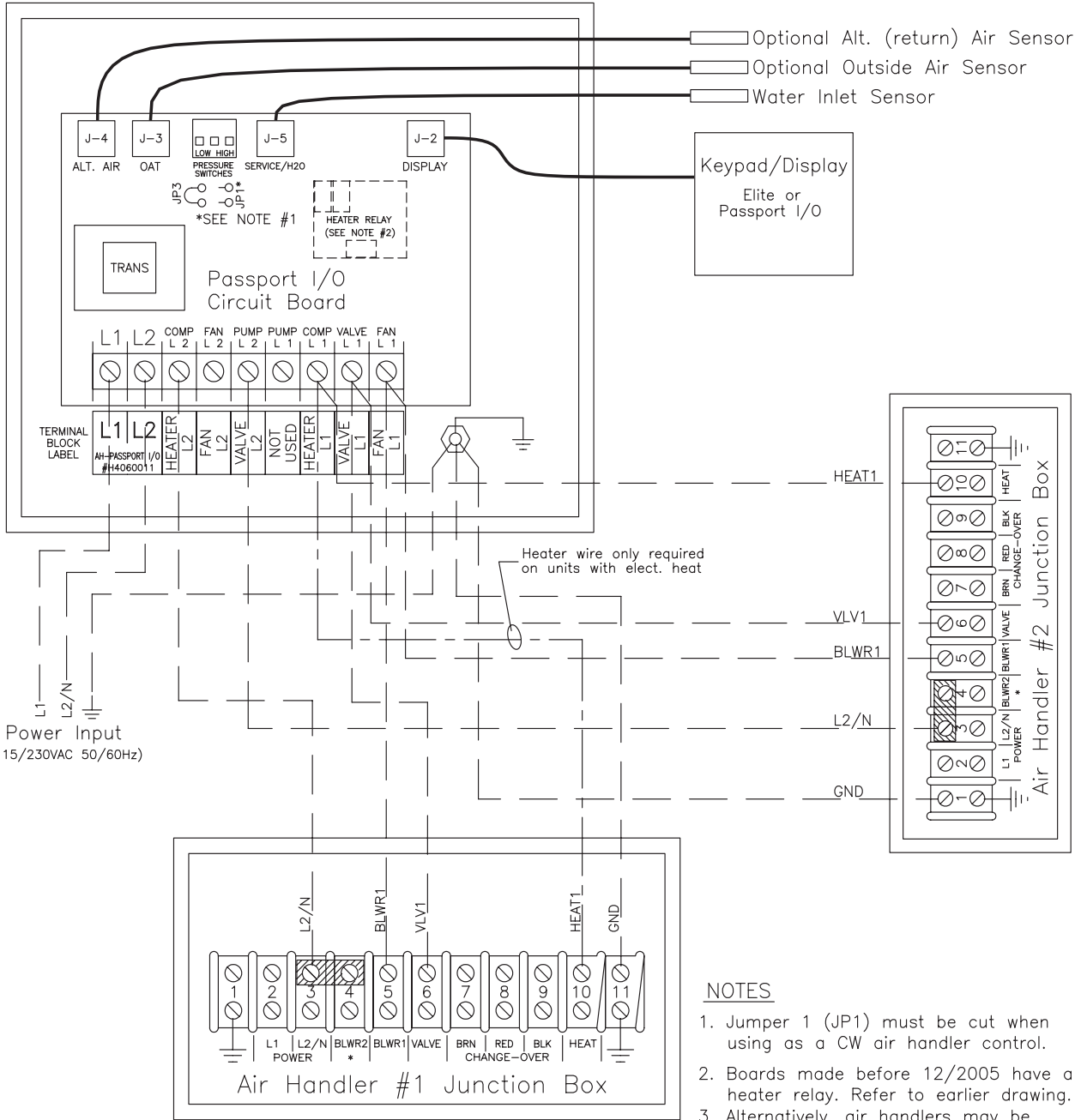
Page	Drawing No.	Description
4	H3010116	Elite-Passport I/O to AT wiring hookup schematic
5	H3010117	Elite-Passport I/O to AT-DC wiring hookup schematic
6	H3010106K	AT18/24/36MU - 115, 208,230VAC/50-60HZ/ 1Ø Fresh Air Makeup
7	H3010108A	AT18/24/36MU 208,230VAC/50-60Hz/1Ø Fresh Air Makeup
8	082712	AT Air Handler with PLTX-HVSTAT (after Sept. 2005)
9	082712DC	AT-DC Air Handler with PLTX-HVSTAT SMXII
10	082714	AT-COS Air Handler with PLTX-HV
11	082715	AT FAMU with PLTX-HVSTAT

For a extensive list of Air Handler Wiring Diagrams for specific applications, please refer to the electronic version L-2295B.

The L-2295B can be found on our websites at www.cruisair.com or www.marineair.com.

PROPRIETARY NOTE: THE INFORMATION CONTAINED WITHIN THIS DOCUMENT IS THE PROPERTY OF DOMETIC CORPORATION. ANY ATTEMPT TO COPY OR DISTRIBUTE WITHOUT WRITTEN CONSENT FROM DOMETIC CORPORATION SHALL BE CONSIDERED UNLAWFUL AND CAN BE CONTESTED IN A COURT OF LAW.

REV	DATE	REVISION DESCRIPTION	DWG	APR



NOTES

1. Jumper 1 (JP1) must be cut when using as a CW air handler control.
2. Boards made before 12/2005 have a heater relay. Refer to earlier drawing.
3. Alternatively, air handlers may be daisy-chained.

Up to 3 air handlers can be controlled by one Elite-Passprt I/O board.

Wire each in parallel as shown above, either from the #1 AH box, or directly from the Passport board.

Maximum current limits are:

Blower: 5 amps

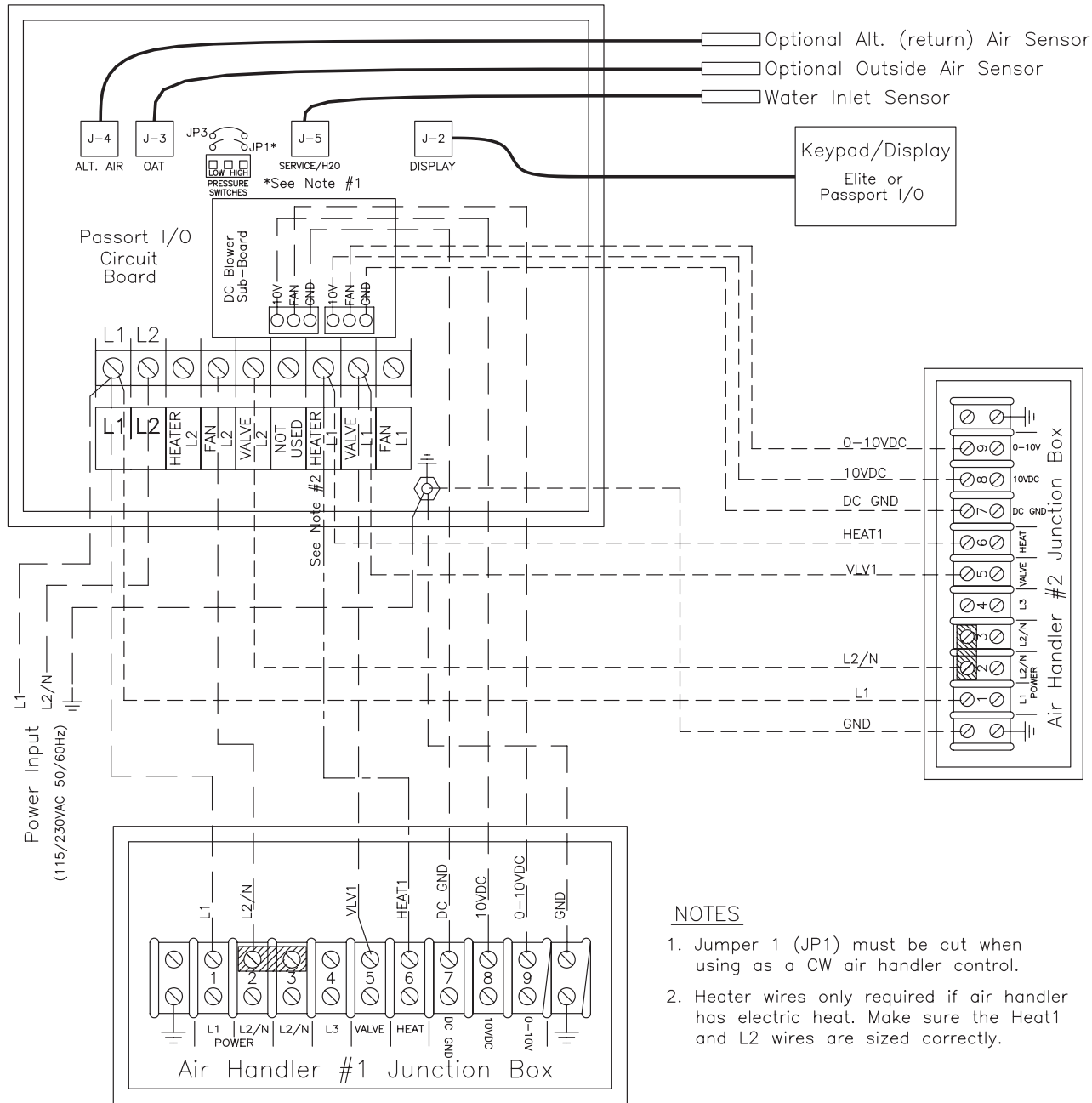
Heat: 26amps (6kW @ 230VAC)

Field Wiring — — —

Dometic Corporation		Marine Air	
WIRING SCHEMATIC			
Elite or Passport I/O to AT/other Air Handlers(NOT DC)			
DATE: 4/17/07	DWG BY: DRR	PART NUMBER:	DWG
SCALE: NTS	APR BY: JES	0880067	H3010116
			REV O.I.

PROPRIETARY NOTE: THE INFORMATION CONTAINED WITHIN THIS DOCUMENT IS THE PROPERTY OF DOMETIC CORPORATION. ANY ATTEMPT TO COPY OR DISTRIBUTE WITHOUT WRITTEN CONSENT FROM DOMETIC CORPORATION SHALL BE CONSIDERED UNLAWFUL AND CAN BE CONTESTED IN A COURT OF LAW.

REV	DATE	REVISION DESCRIPTION	DWG	APR



NOTES

1. Jumper 1 (JP1) must be cut when using as a CW air handler control.
2. Heater wires only required if air handler has electric heat. Make sure the Heat1 and L2 wires are sized correctly.

Field Wiring (Unit #1) — — — —
 Field Wiring (Unit #2) - - - - -

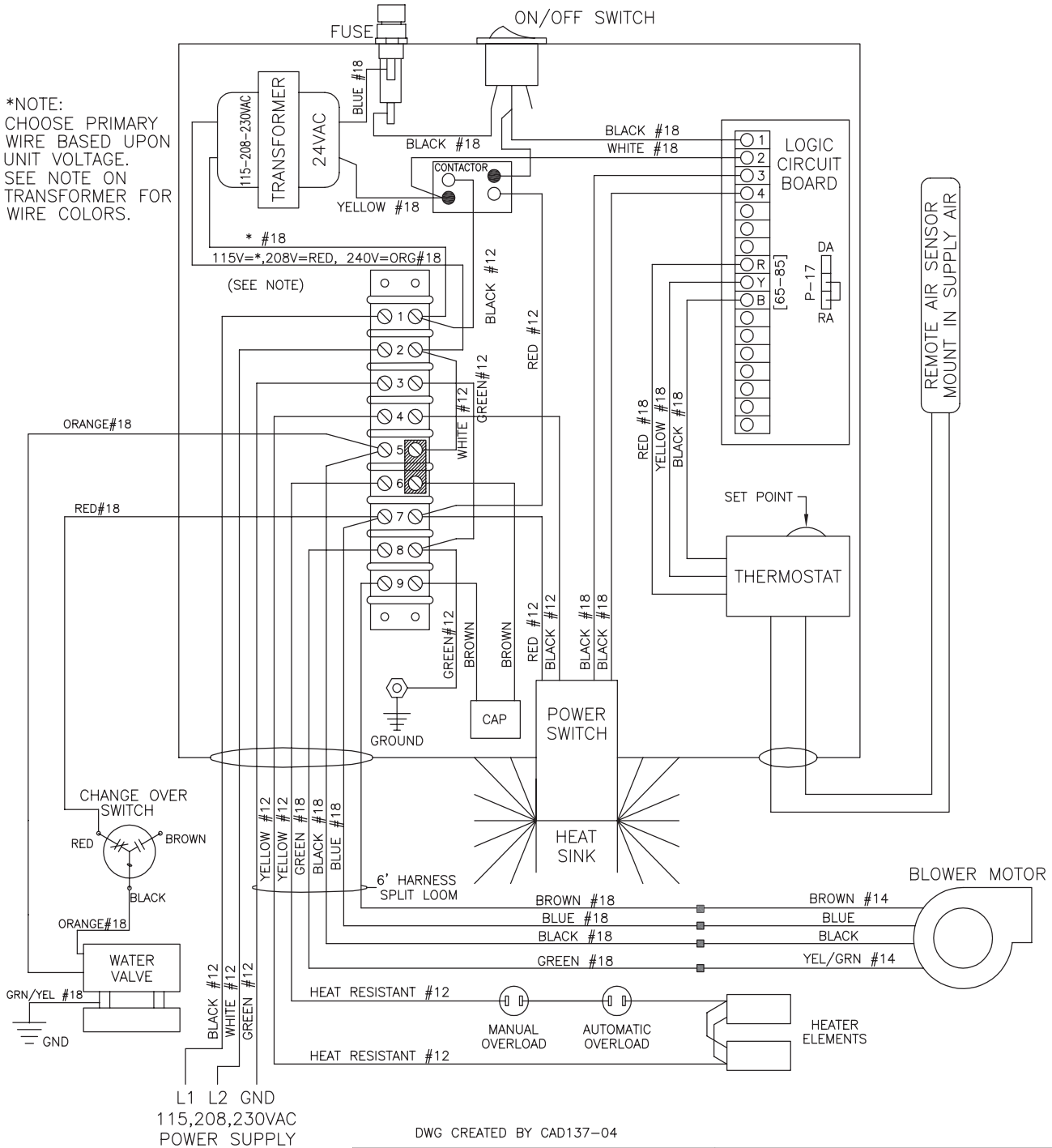
Up to 2 DC air handlers can be from this Passport I/O kit. Refer to drawing H3010112 for 3 or 4 air handlers. (Requires special control box.)
 Maximum electric heat current limit is 26amps (6kW @ 230VAC).

Dometic Corporation		Marine Air	
WIRING SCHEMATIC			
Elite or Passport I/O to AT-DC Air Handlers			
DATE: 4/17/07	DWG BY: DRR	PART NUMBER: 0880068	DWG H3010117
SCALE: NTS	APR BY: JES		REV O.I.

PROPRIETARY NOTE: THE INFORMATION CONTAINED WITHIN THIS DOCUMENT IS THE PROPERTY OF DOMETIC CORPORATION. ANY ATTEMPT TO COPY OR DISTRIBUTE WITHOUT WRITTEN CONSENT FROM DOMETIC CORPORATION SHALL BE CONSIDERED UNLAWFUL AND CAN BE CONTESTED IN A COURT OF LAW.

REV	DATE	REVISION DESCRIPTION	DWG	APR
G	12/22/04	ALLOW FOR BOTH BRANDS & ALL SIZES OF AT-MU,CAD805-04	DRR	JES
H	7/12/05	REVISED VOLTAGES TO INCLUDE 115,ADDED NOTE,CAD423-05	DRR	MFG
J	12/16/05	REVISED XFMR WIRE COLORS,CAD618-05	DRR	MFG
K	9/27/06	REVISED NOTE AND WIRE CALLOUTS FOR XFMR,CAD486-06	DRR	JES
E	7/29/04	ADDED TERMINAL TO TERMINAL BLOCK,CAD507-04	DRR	MFG
F	08/17/04	CHANGE COLORS TO USE AT HARNESS PER CAD 566-04	MOM	JES

*NOTE:
CHOOSE PRIMARY WIRE BASED UPON UNIT VOLTAGE.
SEE NOTE ON TRANSFORMER FOR WIRE COLORS.



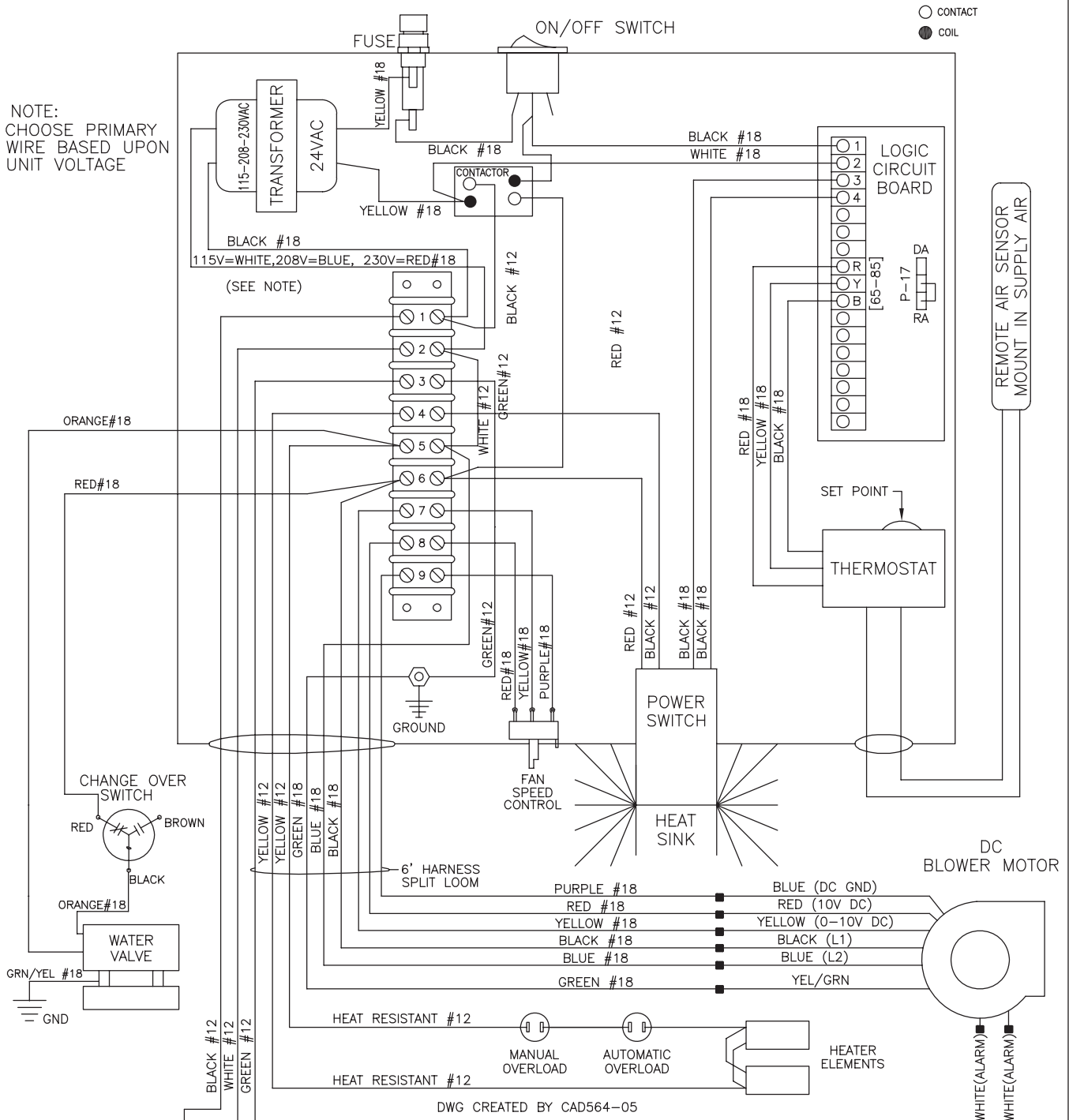
DWG CREATED BY CAD137-04

Dometic Corporation		AT18,24,36MU FRESH AIR HANDLER		115,208,230VAC/50-60Hz/1Ø	
DATE: 3/3/04	DWG BY: DRR	PART NUMBER: 293-510272	DWG	H3010106	REV K
SCALE: NTS	APR BY: JES				

PROPRIETARY NOTE: THE INFORMATION CONTAINED WITHIN THIS DOCUMENT IS THE PROPERTY OF DOMETIC CORPORATION. ANY ATTEMPT TO COPY OR DISTRIBUTE WITHOUT WRITTEN CONSENT FROM DOMETIC CORPORATION SHALL BE CONSIDERED UNLAWFUL AND CAN BE CONTESTED IN A COURT OF LAW.

REV	DATE	REVISION DESCRIPTION	DWG	APR
A	1/13/06	REV REPRESENTATION OF FAN SPEED CONTROL,CAD019-06	DRR	MFG

NOTE:
CHOOSE PRIMARY WIRE BASED UPON UNIT VOLTAGE



DWG CREATED BY CAD564-05

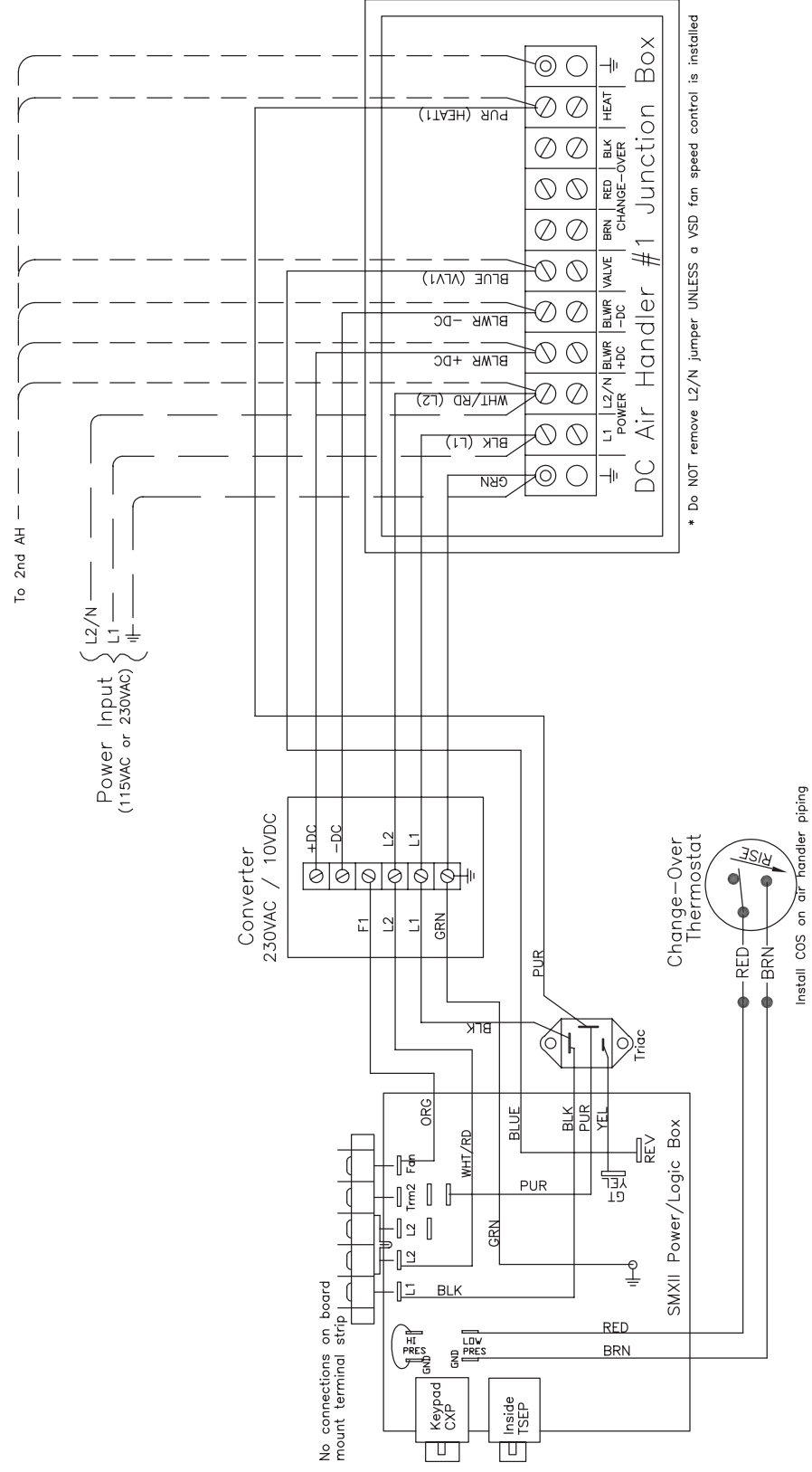
Dometic Corporation

AT18,24,36MU FRESH AIR HANDLER DC
208,230VAC/50-60Hz/1Ø

DATE: 10/20/05	DWG BY: DRR	PART NUMBER: 293-510303	DWG	H3010108	REV	A
SCALE: NTS	APR BY: JES					

PROPRIETARY NOTE: THE INFORMATION CONTAINED WITHIN THIS DOCUMENT IS THE PROPERTY OF DOMETIC ENVIRONMENTAL. ANY ATTEMPT TO COPY OR DISTRIBUTE WITHOUT WRITTEN CONSENT FROM DOMETIC ENVIRONMENTAL SHALL BE CONSIDERED UNLAWFUL AND CAN BE CONTESTED IN A COURT OF LAW.

PLTX Wire Colors
 BLK - L1 Power
 WHT/RED - L2/N
 ORG - Blower L1
 BLUE - Valve L1
 PUR - Heat L1
 GRN - Ground



* Do NOT remove L2/N Jumper UNLESS a VSD fan speed control is installed

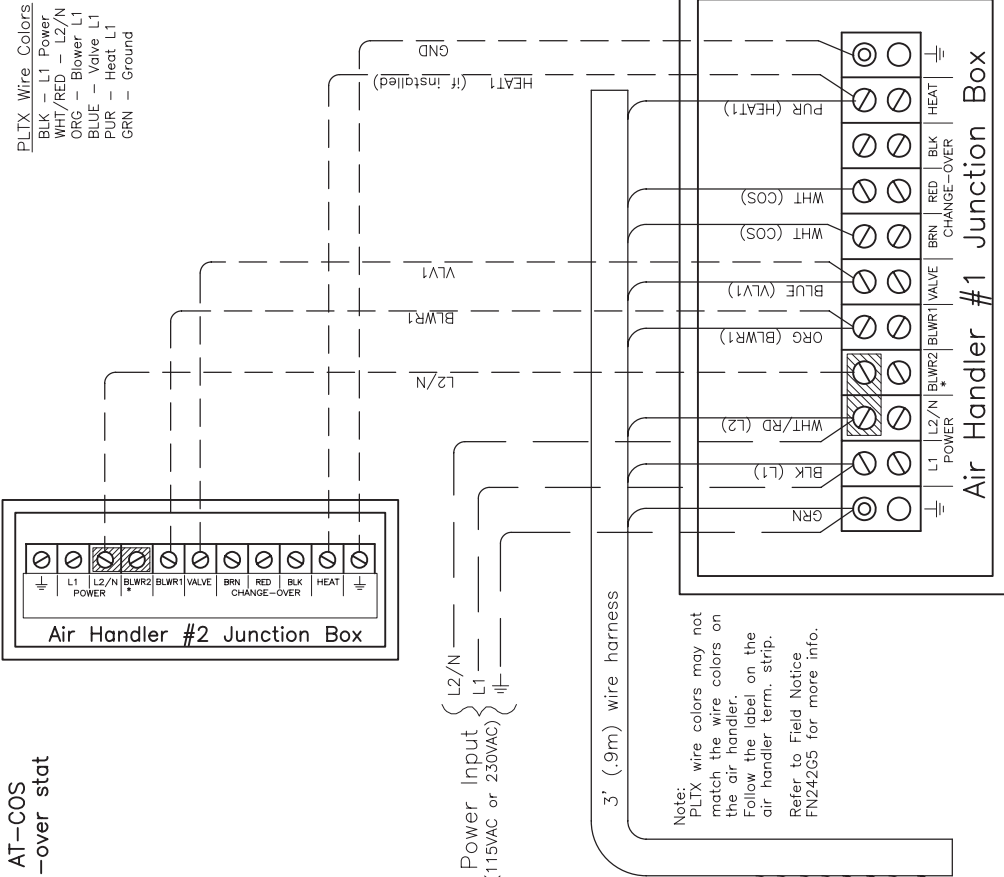
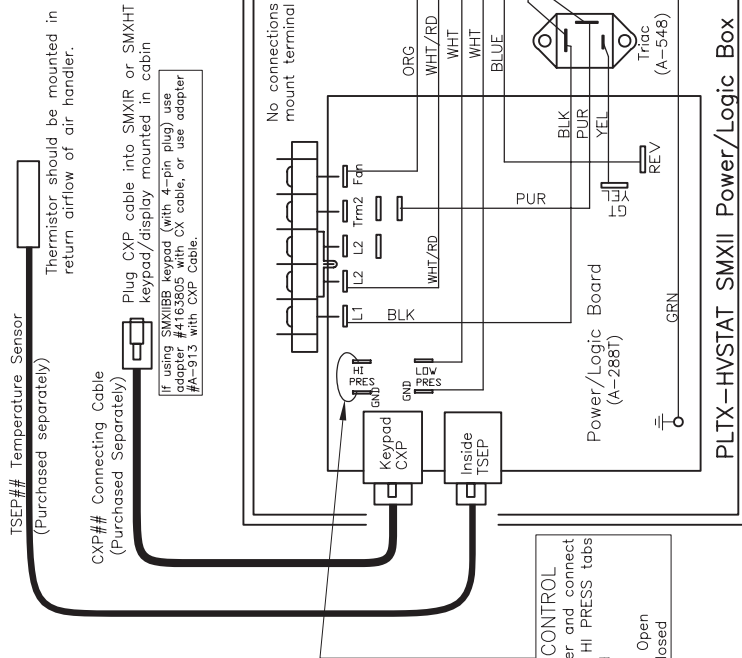
REV	DATE	REVISION DESCRIPTION	DWG	APR	Dometic Environmental	CRUISAIR
					Wiring Diagram - AT-DC Air Handler with PLTX-HVSTAT SMXII 115/230VAC, and DC converter with or without elect. heat	
			3/1/05		DWG BY: CE	082712DC
						REV

PROPRIETARY NOTE: THE INFORMATION CONTAINED WITHIN THIS DOCUMENT IS THE PROPERTY OF DOMETIC ENVIRONMENTAL. ANY ATTEMPT TO COPY OR DISTRIBUTE WITHOUT WRITTEN CONSENT FROM DOMETIC ENVIRONMENTAL SHALL BE CONSIDERED UNLAWFUL AND CAN BE CONTESTED IN A COURT OF LAW.

This diagram is for PLTX-HV and AT-COS air handlers which have a change-over stat installed on the air handler.

Wiring Instructions:

1. Connect wire harness from P/L box to #1 air handler junction box
 2. Connect AC power and ground from electrical panel to AH junction box.
 3. Plug TSEP cable to PLTX-HV, and install sensor bulb in the return air path to the air handler.
 4. Plug in CXP cable at PLTX-HV and the keypad/display.
 5. Up to 3 units can be installed on one control.
- If additional units are installed, wire the valve, blower, and heat (if applicable) in parallel as shown.
Maximum blower current is 6 amps.
Maximum elect. heat current is 26 amps (3kW at 115V, 6kW at 230V)



* DO NOT remove L2/N jumper UNLESS a VSD fan speed control is installed

--- Field Wiring

REV	DATE	REVISION DESCRIPTION	DWG	APR
		Dometic Environmental		
		CRUISAIR		
		Wiring Diagram - AT-COS Air Handler with PLTX-HV SMXII		
		115/230VAC, with or without elect. heat		
	8/8/05	DWG BY: CE		
			082714	
				REV



Dometic Environmental Corporation

2000 N. Andrews Ave. Ext. • Pompano Beach, FL 33069-1497 USA

Phone: 954-973-2477 • Facsimile: 954-979-4414

Website: www.marineair.com • Email: sales@marineair.com

P.O. Box 15299 • Richmond, VA 23227-0699 USA

Phone: 804-746-1313 • Facsimile: 804-746-7248

Website: www.cruisair.com • Email: sales@cruisair.com

For Sales and Service Calls within Europe and the Middle East, please contact +44 (0) 870 330 6101

L-2295A